

HYDRON INCORPORATED

PD800W CORDLESS PHASING TESTER



Featuring state-of-the-art wireless technology, the PD800W Cordless Phasing Tester effectively and easily operates in multiple applications including phasing, voltage detection, phase sequencing and phase angle detection.

Designed to operate like a conventional phasing tester, **but does not require an interconnect cable or extension resistors.** Each set consists of two units: 1) Reference Probe (Transmitter) and 2) Meter Probe (Receiver).

Basic Functions:

- **Cordless Phasing Tester** - Capacitive test points - 800kV
- **Phase Sequencing & Phase Angle Indicator** - Identifies phase relationships with indicating lights and in degrees of separation. Automatically alerts user of the existence of Delta/Wye transformations. Can be used to tie utility systems and congeneration plants together.
- **Voltage Detector** - 4kV - 69kV
- **Operating Range** - 70 ft.

Both the Reference Probe and the Meter Probe (Fig. 1) have a five position selector switch (Fig. A) on the probe face that controls different operating modes:

Meter Probe (Fig. B) features a large digital display with backlight and easy-to-read high intensity color coded indicator lights. Readings are displayed in kV and in degrees. Reference Probe (Fig. C) features high intensity indicator light for high visibility.

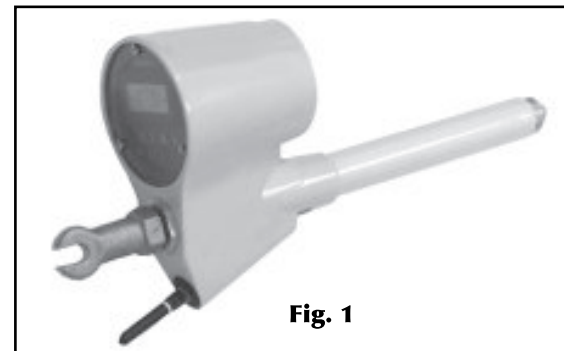


Fig. A



Fig. B



Fig. C

Number	Description	Weight (lbs)
PD800WU	Universal	13
PD600WGA	Grip All	13
PD800WQ	Quick Change	13
PD800US	Universal w/2 Bushing Adapters	15
PD800WGAS	Grip All w/2 Bushing Adapters	15
PD800WQS	Quick Change w/2 Bushing Adapters	15
PD800WH6	Quick Change w/Handles	24
PD800WH6S	Quick Change w/Handles & 2 Bushing Adapters	26
PD8H2WU	Universal w/1 Insulated Support Hook	18
PD8H2WGA	Grip All w/1 Insulated Support Hook	18
PD8H2WQ	Quick Change w/1 Insulated Support Hook	18

Note: Additional kits with accessories available upon request.

273 Weymouth Street, Rockland, MA 02370
Phone 781-871-1920 • Fax 781-878-1507 • www.hydroninc.com