

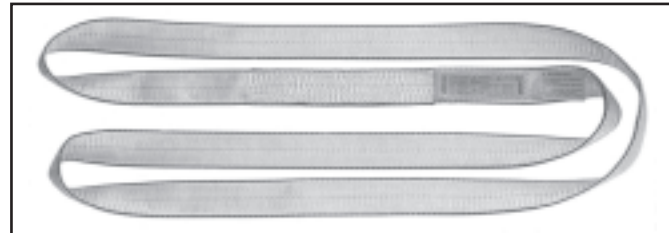
# HYDRON INCORPORATED



## WEB SLINGS

### Endless Type

**Type 5 (EN)** - Endless slings are versatile and the most economically priced. They can be used in all three types of hitches. The sling can be rotated to minimize wear. The sling legs can be spread for improved load balance.

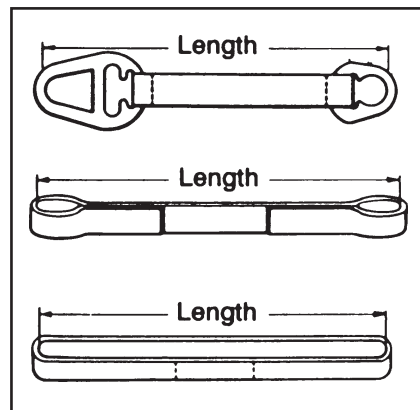
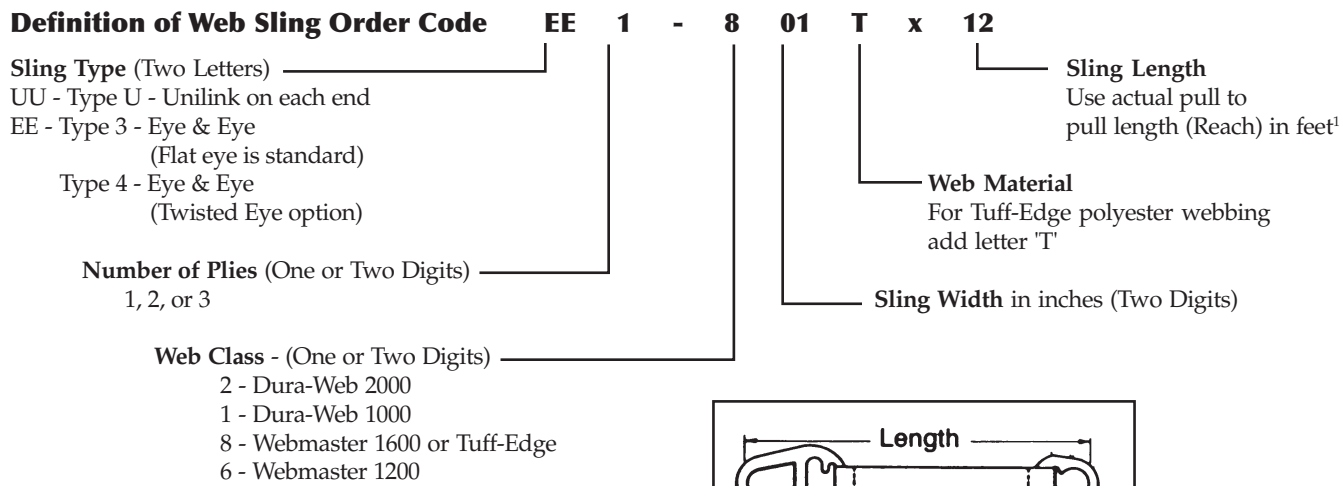


Type 5

Tuff-Edge No.	Webmaster No.	Ply	Web Wid. (in)	Rated Capacity (lbs)		
				Vertical	Choker	V. Basket
EN1-801T	EN1-801	1	1	3,200	2,500	6,400
EN1-802T	EN1-802	1	2	6,400	5,000	12,800
EN1-803T	EN1-803	1	3	8,600	6,900	17,200
EN1-804T	EN1-804	1	4	11,500	9,200	23,000
EN2-801T	EN2-801	2	1	6,200	4,900	12,400
EN2-802T	EN2-802	2	2	12,200	9,800	24,400
EN2-803T	EN2-803	2	3	16,300	13,000	32,600
EN2-804T	EN2-804	2	4	20,700	16,500	41,400
EN3-801T	EN2-801	3	1	8,000	6,400	16,000
EN3-802T	EN2-802	3	2	16,000	12,800	32,000
EN3-803T	EN3-803	3	3	21,500	17,200	43,000
EN3-804T	EN3-804	3	4	28,700	23,000	57,400

### HOW TO ORDER

#### Definition of Web Sling Order Code



Always measure sling pull to pull when flat.

<sup>1</sup> Lift-All manufactures slings to a tolerance of  $\pm 2\%$  for one and two ply slings. Tolerance for three ply slings is  $\pm 4\%$ .

LINE  
CONSTRUCTION  
TOOLS

320 Libbey Industrial Parkway, Weymouth, Massachusetts 02189  
Phone 781-331-5500 • Fax 781-331-5508 • www.hydrone.com