

HYDRON INCORPORATED

LINEMEN'S BODY BELTS

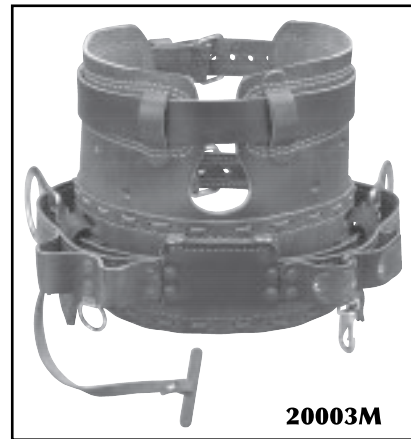
350lb. RATED



2000M

2000M — This is the finest belt available. Linemen do not like the stiff feel of new body belts. This belt is hand crafted of the most pliable and highest quality leather available to create that broken-in feeling from the first day worn. It features a full float body belt with a 5 1/2" foam cushioned pad reinforced with rawhide lace. The belt strap is leather and nylon sewn together for strength and comfort. The sliding dees allow the lineman a 4" lateral movement on the pole reducing wear of the pole strap. Available in three leather colors, 2000MBL - Black, 2000MBR - Brown, and 2000MBU - Burgundy.

20003M — The body belt section of model 20003 is connected using the 2000M belt described above and has the added feature of an attached backsaver. The extra width provides support to the back helping to relieve strain. The backsaver helps hold the belt and dee rings in the perfect location and eliminates the possibility of sliding out of the belt.



20003M



20006M

Model 20006M - The backsaver attached to the 2000M body belt fit comfortably on those of you with a shorter torso. The 20006M features a smooth non padded backsaver constructed from a single piece of leather thereby eliminating a ridge line and minimizing chafe. It allows the user to adjust the back rest using a strap in the center of the back. The front of the backsaver is tightened using a single strap with a tongue buckle. Never rely on the backsaver for life support. Weight 7 lbs.

*See page 125 for Bolt Bags.



20005MN

20005MN — The backsaver body belts are now available with a cushioned back pad. The padding is on the top allowing air to circulate on the bottom through vent holes. Padded backsaver option also available in the 20003M style - Order 20003MN.



4923
6 1/4" x 11"



4226 6 1/4" x 11"
49261 w/snap & covered back



42266

Note: All above belts and pouches available in three leather colors, Black-BL, Brown-BR and Burgundy-BU.

273 Weymouth Street, Rockland, MA 02370
Phone 781-871-1920 • Fax 781-878-1507 • www.hydrone.com