

HYDRON INCORPORATED

HYDRAULIC PUMPS

STANLEY[®]

Stanley water pumps are small in size and impressive in output. Our smallest pump, the SM20, can pump 250 gallons per minute and our largest pump, the TP08, can pump 800 gallons per minute and can handle fluids containing solids such as gravel or sludge. All pumps are submersible with no priming necessary and all can run dry without damage.



SM20 Sump Pump



SM21 Sump Pump



SM50 Sump Pump



TP03 Trash Pump

* Steel Impeller
**Urethane Impeller
† Cast Iron Impeller

SPECIFICATIONS

No.	Weight	Length	Width	Flow Range	Pressure	Output	Discharge
SM2043101*	18 lbs	7.5 in.	9.6 in.	4-9 gpm	1000-2000 psi	250 gpm	2.5 in.
SM2151101†	25 lbs	16 in.	6.25 in.	4-9 gpm	1000-2000 psi	300 gpm	2.5 in.
SM50100*	21 lbs	10.5 in.	10 in.	7-12 gpm	1000-2000 psi	500 gpm	3 in.
TP0300301**	32 lbs	14 in.	12 in.	7-9 gpm	2000 psi	450 gpm	3 in.
TP08013†	65 lbs	19 in.	15 in.	7-9 gpm	2000 psi	800 gpm	4 in.

HYDRANT SAVER

The Hydrant Saver from Stanley Hydraulic Tools is a special complement of tools designed to quickly, efficiently, and safely remove fire hydrant valve seats – even those that have seized due to lack of periodic maintenance. Breaks loose and removes seats in as little as three minutes providing a significant reduction in manpower requirements and time.

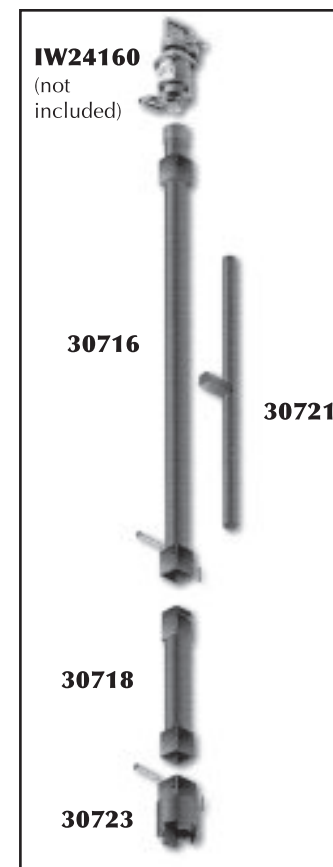
Allows servicing of seized hydrants and hydrants obstructed by trees, walls, fences, etc. that previously had to be replaced at great expense. The Northern and Southern Kits consist of a power tube, extension, one socket, alignment wrench and pins. The IW24 Impact Wrench is sold separately to make a complete Hydrant Saver package.

Runs off a variety of hydraulic sources such as truck circuits and the Stanley Compact Power Unit. A complete selection of sockets is available to fit the most commonly found hydrants.

SPECIFICATIONS & ACCESSORIES

No.	Description
IW24160	Impact Wrench, o.c., 1 1/2 in. Square Drive
31043	Northern Kit includes 8 ft. Power Tube, 1 1/2 ft. Extension, Seat Alignment Starter Wrench, Mueller 5 1/4 in. Socket, plus Pins
31044	Southern Kit includes 6 1/2 ft. Power Tube, 1 1/2 ft. Extension, Seat Alignment Starter Wrench, Mueller 5 1/4 in. Socket, plus Pins
30716	Power Tube, 8 ft.
30717	Power Tube, 6 1/2 ft.
30718	Extension, 1 1/2 ft. for Power Tube
30719	Extension, 3 ft. for Power Tube
30720	Extension, 4 ft. for Power Tube
30721	Wrench, Seat Alignment Starter

No.	Description
Sockets	
30722	4 1/4 in. Mueller, M&H Smith, Columbia
30723	5 1/4 in. Mueller, M&H Smith, Columbia
30726	5 1/4 in. Kennedy
30727	4 1/4 in. Kennedy
Pins	
31045	Pin for 5 1/4 in. Sockets
30146	Pin for Extension and 4 1/4 in. Sockets



HYDRAULIC
TOOLS &
ACCESSORIES

320 Libbey Industrial Parkway, Weymouth, Massachusetts 02189
Phone 781-331-5500 • Fax 781-331-5508 • www.hydroninc.com